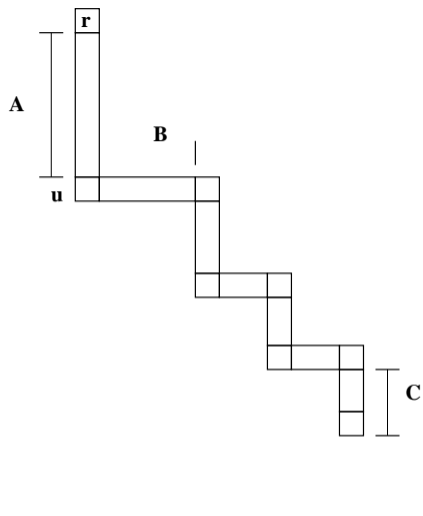


**bbH**



**rH/row1**